

Parts List

ITEM	QTY.	PART NO.	DESCRIPTION
1	1	SK-19500	Frame, Weldment
2	14	HS-16929	Screw, 3/8 - 16 x 5/8", Lg H x HD Whiz-lock, GR5
3	6	HS-16950	Screw, 5/16 - 18 x 7/8", Lg H x Soc BTNHD w/patch, B-Zn
4	6	HS-19454	Screw, SEMS, 10-32 X 1.0", PNHD, BLK ZN, EXT
5	1	AX-16724-X	Motor Cover assembly*
6	1	PL-16465	Cover, Upright Outer, Right
7	1	PL-16464	Cover, Upright Outer, Left
8	2	HW-19634	Washer, Flat, .344 ID X 1.0 OD X .125", Thick, Zinc
9	8	HS-16939	Screw, SEM 10-32 x .75", Pnhd Ext blk Zn
12	2	HS-21379	Screw, 1/4 - 20 X .50", FLHD PHIL, Undercut, ZN
13	1	AX-17765	Side Extrusion Assy, Cybex Pro+, Right
14	1	AX-17767	Side Extrusion Assy, Cybex Pro+, Left
15	1	AF-17677	Upright Weldment (Choose a Standard or Custom Color)
16	2	AX-17829	Top Platform Assy, (Choose a Standard or Custom Color)
17	2	DE-16705	Decal, Safety-walk
18	5	HS-16875	Screw, SEM ext 1/4 - 20 x 1/2", PNHD Phil
19	8	EH-10291	Anchor, Cable Tie
20	11	EH-00986	Cable Tie, (without anchor)
21	1	PL-16737	Grommet, Power Cord
22	1	PL-16738	Plug, Power Cord
23	1	DE-16992	Decal, ETL UL-1647 Only
24	1	DE-14486	Decal, Serial Number
25	1	SCK-16496	End Cap, Left, (Choose a Standard or Custom Color)
26	1	SCK-16497	End Cap, Right, (Choose a Standard or Custom Color)
27	2	HX-19991	Bumper, Deck, 2.10 X 2.34 X 1.55"
28	1	EH-16809	Grommet, 1.12 X .091 - .125", Nylon
29	2	AF-17591	Nut Holder Bracket
30	1	DE-20427	Label, Disconnect Power, Multi-languages
31	2	HW-00590	Bushing Nylon 1/2" Nf810-5-0
32	6	HX-13771	Ring, Retain 5/8" .579 Fr.Id
33	2	HX-16510	Foot, Rubber, Rear
34	4	FS-16511	Plate, Rear Rubber Foot Mount
35	8	HS-16509	Screw, #10 x .5LG, T-SPLT, PNHD, TYB-B
36	2	HS-15480	Bolt, Tap 1/2-13unc x 6 H x HD GR5
37	2	HB-16367	Bushing, .50ID x .62OD x .31LG, flanged
38	4	HW-10028	Washer, B 1-2 Narrow Zinc
39	2	HX-11049	Spring 1" O.D.360 Max Ld.
40	1	AX-16723	Rear Roller Hardware Assembly
41	1	AF-16382	Elevation, Weldment
42	2	HS-60022	Bolt, Hhcs 0.375 x 2.25 blk zn G5
43	2	CW-16712	Wheel, Rubber, 3" Dia
44	2	HN-17935	Nut, Lock, 3/8 - 24, GRD C, STL, ZN
45	1	DE-17144-X	Decal, International only*
46	1	HS-17936	Bolt, 3/8 - 24 X 2.0", HXHD CAP, G8, YEL ZN
47	1	HS-17937	Bolt, 3/8 - 24 X 2.75", HXHD CAP, G8, YEL ZN

ITEM	QTY.	PART NO.	DESCRIPTION
48	1	MR-16412	Motor, Elevation, 115 VAC
48	1	MR-16541	Motor, Elevation, 230 VAC
49	1	SK-17079	Tube Nut, Motor, Elevation Kit
50	1	FT-16825	Sleeve, Elevation Mounting, Top
51	1	FT-16826	Sleeve, Elevation Mounting, Bottom
53	6	HS-15732	Screw, SEM 8-32 unc x .62", PNHD phil pl
54	1	HW-10856	Washer, (for ground)
55	1	HN-11925	Nut, Keps 10-32 Hex Stil Zinc
56	1	PL-17052-X	Cover, Lower Controller*
57	3	HX-16943	Clip, Christmas Tree, Single Head
58	1	AX-16835	Lower Controller Assembly, 115 VAC
58	1	AX-16836	Lower Controller Assembly, 220 VAC
59	1	DE-16608-X	Label, Brush Replacement Gauge*
60	1	DE-16610-X	Label, Error Codes*
61	1	DE-16609-X	Label, Service Schedule*
62	1	DE-19531	Decal, IS3
63	1	DE-17691-X	Label, User Precautions, 15 x 1.3**
64	1	DE-17693-X	Label, Start Instructions, Profiles*
65	1	DE-18135-X	Label, HR Zone, Heart Icons*
65	1	SW-18194-4	Membrane, A/V, All languages
67	2	HX-14416	Clip, Cable Retainer
68	1	HW-40004	Washer, Wave
69	1	AX-18883	Motor Base Plate Assy
70	2	HS-16849	Screw, 5/16 - 18 x 2.0", LG HXHD, GR5, Tap
71	2	HW-00165	Washer, Lock Ex 5-16 Zinc
73	2	HB-16426	Bushing, Flanged, 1.0ID x 1.12OD x .75LG
74	6	HX-16425	Ring, Retaining Ext Crescent
75	1	FT-16352	Shaft, Motor Mount
76	1	EC-19647	Speed Sensor
80	2	AF-19605	Clamp, Motor Drive (includes nut)
81	1	AX-19636	Drive Motor, 3.0HP, 110 VDC, McMillan
81	1	AX-19637	Drive Motor, 3.0HP, 220 VDC, McMillan
88	1	SCK-16379	Cover, Junction Outer, Right, (Choose a Standard or Custom
89	1	SCK-16380	Cover, Junction Inner, Right, (Choose a Standard or Custom Color)
90	1	SCK-16328	Cover, Junction Inner, Left, (Choose a Standard or Custom Color)
91	1	SCK-16327	Cover, Junction Outer, Left, (Choose a Standard or Custom Color)
92	1	DK-16932	Deck, Plywood 23.3 x 51.5 x 1.0", (Double Sided)
93	1	BD-17026	Belt, Running, 20.63 x 60", Commercial
94	10	HW-00431	Washer, 1/4 x .75 x .062", Zinc
95	10	HS-16628	Screw, .25-20 x 1.5", Hxhd Grade 8
96	1	AL-19035	Roller, Front Assy
97	1	AL-19036	Roller, Rear Assy
98	1	BD-16829	Drive, Belt, 8 Rib
99	1	PL-17659	Console, Back, Plastic
100	1	DE-17712	Decal, Logo, Cybex Intl, 9 x 7"
101	1	PL-17658	Front Console, Plastic
102	1	SW-18304-X	Membrane, Pro+, Top*
103	1	SW-18305-X	Membrane, Pro+, Bottom*
104	1	AX-20943	Lanyard, E-stop Assembly

Cybex Pro+ Treadmill Service Manual

ITEM	QTY.	PART NO.	DESCRIPTION
105	2	PL-17686	Tab, Bookholder
106	1	HX-16931	Clamp, Cable, 5-16 dia Standard
107	1	AD-16559	PCA, Pro+, Lower Display, English
107	1	AD-16559-Q	PCA, Pro+, Lower Display, International
108	1	SK-17171	PCA, Pro+, Upper Display, English
108	1	AD-18199-Q	PCA, Pro+, Upper Display, International
110	1	AD-19366	PCA, CSAFE Port Board, W-TVS
111	1	EC-17763	PCA Salutron Serial Output
112	1	AW-17707	Cable, CHR to display with ferrite
113	1	AF-17684	Handrail, Weldment
116	2	HX-15499	Grip Handlebar
118	6	HS-10716	Screw 4-40 x 0.38 PNHD Phil
119	4	EH-00472	Wire Tie Ty-23M
120	1	FS-16841	Mount, E-stop Magnet
121	2	HS-16940	Screw, Sems 10-32 x 3/8", PNHD ext, BL ZN
122	1	FS-16990	Plate, Switch, Power On-Off
123	1	SW-10523	Switch, On-Off
124	12	HS-41187	Screw, 8/16 x 5/16", Plastite
125	17	HS-15706	Screw, 8/16 x .50", PNHD STL BLK Phil
126	1	HX-17711	Plug, Hole Plastic 7-16 Black
127	1	HX-19040	Clamp, Cable, 3/4" Diameter
128	1	HX-17697	Tape, Double Sided, Die Cut, .062", Thick
129	1	HX-16842	Magnet, E-stop
130	2	AX-19669	Grip, Heartrate Grip, Top
131	2	AX-19670	Grip, Heartrate Grip, Bottom
132	2	PL-20360	Endcap, Heartrate Grip
133	4	HS-20306	Screw, 6 - 20 X 1.12", PNHD PHIL
134	1	AX-16812	Power Factor Correction Assembly
135	1	AX-21397	Assembly, Deck Stiffener, Pivot, Left
136	1	AX-21396	Assembly, Deck Stiffener, Pivot, Right
137	2	HS-19108	Screw, 5/16 - 18 X 3/4", LG, HXHD, Whiz-lock, GR5
138	1	FM-19439	Shaft, Deck Pivot
139	2	HN-20041	Nut, 1/4 - 20, Propeller, .305" OD
140	2	HW-20044	Washer, Belleville, 15 X 8.2 X 1.0 MM, .5MM Thick
141	2	HS-18358	Bolt, 5/16 - 18 X .1.25", SCHD CAP, BLK ZN
142	1	DE-19451	Decal, WEEE Symbol
143	2	DE-17714	Decal, Cybex, 13.8 X 2.2"
144	1	DE-16784	Decal, Side Stripe
145	2	DE-17713	Cybex Pro+ Decal for Side Extrusions
146	2	HN-60064	Nut, Jam 3-8"-16 blk zn
147	1	EC-15004	Ferrite, Clamp-on, .40" ID
200	1	AF-20678	Bracket, SLANT Mount,TV Arm
201	1	CP-20665	Monitor, CYBEX, 15" SECAM/PAL
201	1	CP-20794	Monitor, CYBEX, 15" ASTC
202	1	HX-20032	Cap, Domed, Plastic
203	2	PL-20015	Cap, Black
204	3	FT-19980	Tube, Spacer, .375 Dia , .28" Wall
205	1	HS-20036	Screw, 5/16-18 x 1.50", ScHd, Stl, Zn
206	2	HS-41107	Bolt, 5/16-18 x 1.50", Bh, SS, Bl
207	2	HX-20782	Bushing, T- Type,Rubber, Ring Mount, Vibration Isolator
208	8	HW-20779	Washer, Flat, 1.44 x .325", SS
209	6	HX-20778	Bushing,Rubber, Ring Mount, Vibration Isolator
210	1	HW-53018	Washer, 5/16", Split

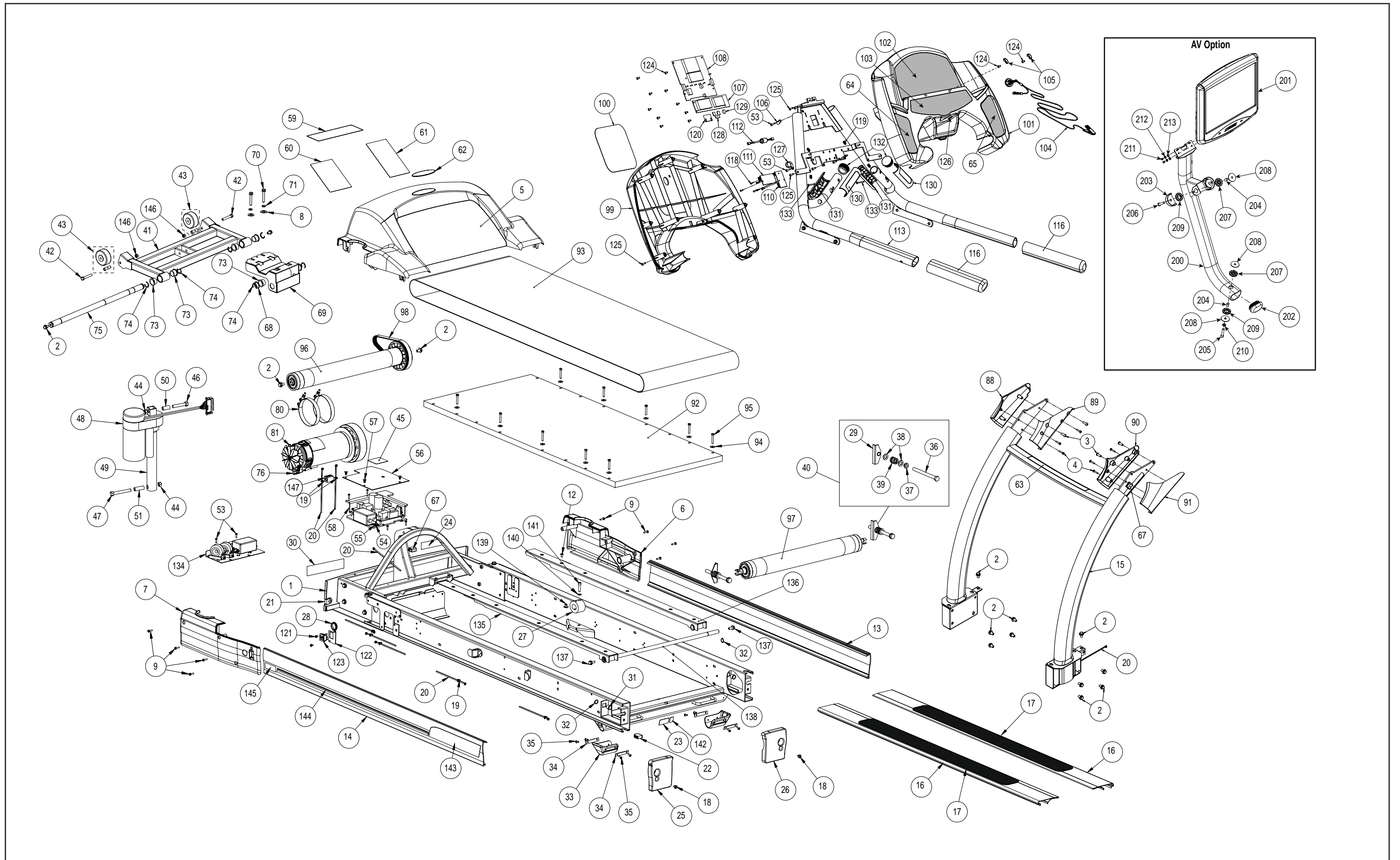
ITEM	QTY.	PART NO.	DESCRIPTION
211	4	HS-20731	Screw, M4x10 ScHd Stl, Blk
212	4	HW-21285	Washer, Lock, M4 Zn
213	4	HW-20214	Washer, Flat, M4
NS	1	AW-16561	Cable, Univ. Tread Display
NS	1	AW-16572	Jumper, Switch-Filter, White, US
NS	1	AW-16578	Jumper, Filter-cntl, White
NS	1	AW-16579	Jumper, Filter-cntl, Black
NS	1	AW-16638	Power Cord, 230 VAC, 50Hz
NS	1	AW-16639	Power Cord, 220 VAC, 60Hz
NS	1	AW-16640	Power Cord, 115 VAC, 60HZ
NS	1	AW-16938	Jumper, Switch-Filter, Black , US
NS	1	AW-17163	Jumper, Switch-Filter, Black , Intl.
NS	1	AW-17164	Jumper, Switch-Filter, White, Intl.
NS	1	AW-17694	Cable, Audio, 1/4" to 3.5mm, 18"
NS	1	AW-17694	Cable & Audio Jack 1/4 in to 3.5 mm
NS	1	AW-17706	Cable, Contact HR Grip
NS	1	AW-17732	Cable, 4" Ribbon C-SAFE
NS	1	AW-19117	Cable, 515T / 530T, A/V, I/O
NS	1	AW-19502	Cable, AV Keypad Extension
NS	1	AW-19502	Cable, Ribbon, AV Keypad Extension
NS	1	AW-19523	Power Cord, 230 VAC, 50Hz, 13A, UK
NS	1	AW-19648	Cable, Speed Sensor
NS	1	AW-20111	Cable E5, RJ45
NS	1	AX-16273	Clamp Assy, Handrail Ext.
NS	1	AX-16956	Kit, Install Hardware
NS	0	AX-17174	Handrail Extension Kit, Left Only - Complete kit with instructions
NS	0	AX-17175	Handrail Extension Kit, Right Only Complete kit with instructions
NS	0	AX-17217	Handrail Extension Kit, Left and Right - Complete kit with instructions
NS	1	CN-17687	Adapter, 1/4" Plug to 1/8" Jack
NS	1	FT-16278	Handrail Extension, Spacer, Bottom hardware
NS	1	HS-16921	Handrail Extension, Bolt, 5/8-11 x 4.75, Bottom hardware
NS	2	HS-16935	Handrail Extension, Screw, Set 1/2 13 x 1/2", Top Hardware
NS	1	HX-00438	Allen Wrench, 3/16"
NS	2	HX-16852	Handrail Extension, Grip
NS	1	LT-03051	Sign, Facility Safety
NS	1	LT-17718	Poster, Assembly
NS	1	LT-21250	Product Registration Sheet
NS	1	LT-17730-X	Owner's Manual, Cybex Pro+*
NS	1	LT-17446	Warranty Sheet, Cybex Pro+, Pink
NS	1	SK-17827	Kit, Assembly, Contact Heart Rate Grip, Pair
NS	1	SK-18554	Brush Kit, Pair, 110 or 220 VDC, w/ spring clips

NOTE: NS = Not Shown

*Language Key

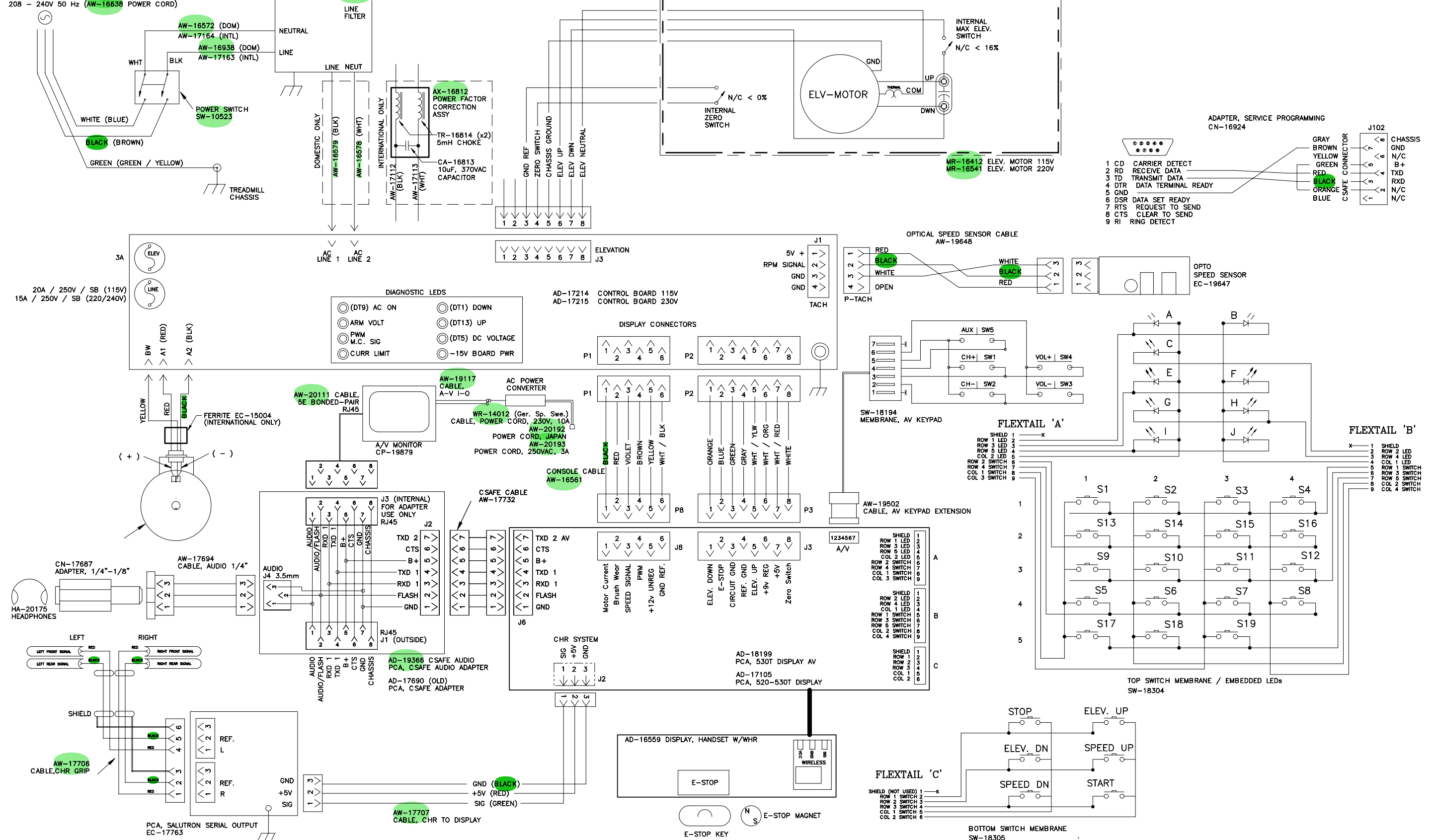
- 1-German
- 2-French
- 3-Spanish
- 4-English
- 6-Japanese
- 7-Swedish
- 8-Russian

This page intentionally left blank.



208 - 240V 50 Hz (AW-19523 POWER CORD) UK
 109 - 125V 60 Hz (AW-16640 POWER CORD)
 208 - 240V 60 Hz (AW-16639 POWER CORD)
 208 - 240V 50 Hz (AW-16638 POWER CORD)

20A DOMESTIC 115V - EC-19869 (RP220-20-4.7)
 20A DOMESTIC 220V - EC-19869 (RP220-20-4.7)
 15A INTERNATIONAL - EC-18896 (DSC1000-4-10-4.7)



ADAPTER, SERVICE PROGRAMMING
CN-16924

1	CD	CARRIER DETECT	GRAY	CHASSIS
2	RD	RECEIVE DATA	BROWN	GND
3	TD	TRANSMIT DATA	YELLOW	N/C
4	DTR	DATA TERMINAL READY	GREEN	B+
5	GND		RED	TXD
6	DSR	DATA SET READY	BLACK	RXD
7	RTS	REQUEST TO SEND	ORANGE	N/C
8	CTS	CLEAR TO SEND	BLUE	N/C
9	RI	RING DETECT		